



Fixture Type  
Materials  
Finish

Specialty Linear System  
Aluminium  
White

Lamp Type  
Lamp Quantity  
Lamp Included  
Wattage  
Input Voltage  
Delivered Lumens  
Kelvin  
CRI  
Power S Type  
Power S Quantity  
Power S Location  
Dimming Type

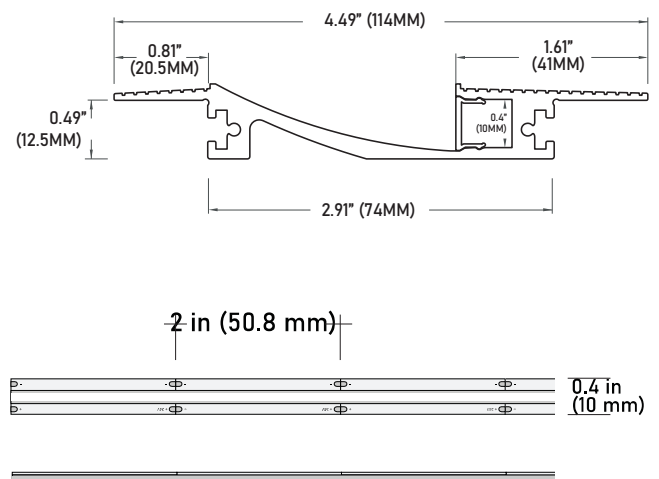
LED  
n/a  
Yes  
3 W/ft  
24 VDC  
250 lm/ft  
2700 K  
95  
Driver  
Up to 25 ft  
Remote  
ELV

Designer

Core

Listings

UL  
JA8 Listed  
DRY





### FEATURES

- Field cuttable
- Accommodates LED strips up to 10mm wide
- Installs within drywall depth
- Recessed mount to fit flush onto installation surface
- Frosted Lens diffuser included
- Matte white powder coated finish
- Protects LED systems from dust and other elements
- Dissipates heat from LED, prolonging its lifetime
- Approved for closet / storage space installation per NEC 410.16(A)(3) and 410.16(C)(5)

### SPECIFICATIONS

<b>TYPE</b>	Recessed mount
<b>AVAILABLE LENGTHS</b>	48" & 96"
<b>FINISH</b>	Matte White
<b>LENS OPTIONS</b>	Frosted
<b>CHANNEL</b>	ALP2200TL
<b>LENS (INCLUDED)</b>	ALP2200TL-LN
<b>END CAP (SOLD SEPARATELY)</b>	ALP2200TL-EC
<b>STRAIGHT CONNECTOR</b>	ALP2200TL-STB
<b>INTERNAL CONNECTOR</b>	ALP2200TL-INB

Compatible with LED strips up to 10mm (0.4") wide.

LED tape light sold separately.

Frosted Lens diffuser included w/ every channel

End caps sold separately.

Custom color finishes available (powder-coating).

Remote mounted low-voltage power supply sold separately



### STANDARD ORDERING CODE (CHANNEL)

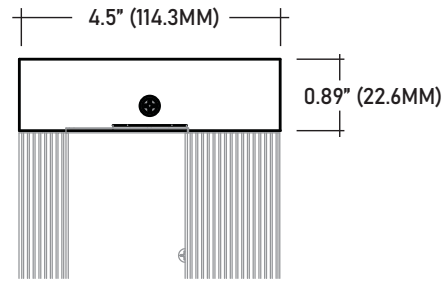
**EX:**  
**ALP2200TL-48-FR**

Model	Length	Lens
ALP2200TL	48 48"	FR Frosted
	96 96"	

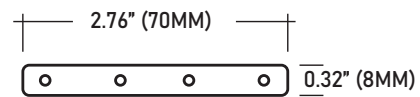


### COMPATIBLE ACCESSORIES

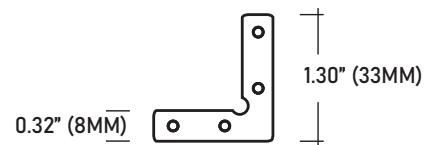
**ALP2200TL-EC** | END CAP  
(sold separately)



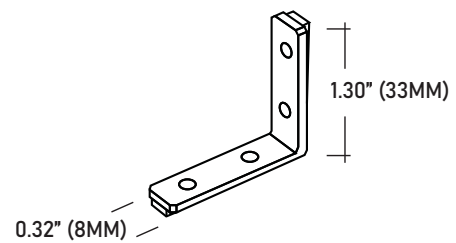
**ALP2000TL-STB** | STRAIGHT CONNECTOR  
(sold separately)



**ALP2000TL-INB** | INTERNAL CONNECTOR  
(sold separately)



**ALP2000TL-90** | RIGHT ANGLE CONNECTOR  
(sold separately)



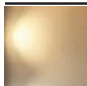

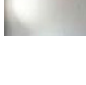
<b>INPUT VOLTAGE</b>	24V DC
<b>POWER CONSUMPTION</b>	3.2 per foot
<b>LUMEN OUTPUT</b>	(27K) 272 Lm/Ft. (30K) 292 Lm/Ft. (40K) 297 Lm/Ft.
<b>BEAM ANGLE</b>	180°
<b>CRI</b>	90+
<b>DIMMING</b>	MLV, ELV, 0-10 and TRIAC
<b>MAXIMUM RUN LENGTH</b>	16.4 Feet
<b>FIELD CUTTABLE</b>	Every 2 in
<b>IP RATING</b>	IP54 dry location (indoor)
<b>LUMEN MAINTENANCE</b>	50,000 hrs.
<b>OPERATING TEMPERATURE</b>	-40°F(-40°C)~+140°F(+60°C)
<b>BINNING</b>	2 Step Macadam Elipse
<b>CERTIFICATIONS</b>	UL listed, TITLE 24 JA8
<b>DIMENSIONS</b>	0.4" x 0.08 (width x height)
<b>WARRANTY</b>	5 Years

Delivering a solid stream of linear light, the LSM32CB features the latest in COB technology for total linear diffusion in a low profile package. Fits profiles up to 0.4" (10mm) wide.

### FEATURES

- 3.2W per Foot
- 90+ CRI
- California TITLE 24 JA8 compliant
- Field cuttable
- Suitable for accent or ambient lighting
- 27K, 30K and 40K CCT options available
- Available in 24V
- UL Listed
- Dimmable with CORE Lighting dimmable drivers



	COLOR TEMP	CRI	LUMEN/FT
	2700K	90	272
	3000K	90	292
	4000K	90	297



### STANDARD ORDERING CODE

Model	Color Temp	Length	Voltage	Profile
LSM-32CB	27K 2700K	16 16.4 Ft.	24 24 Volts	<sup>2</sup> See p3 for options
	30K 3000K	100 100 Ft.		
	40K 4000K	'XX per Ft.		

#### NOTE:

- 1 =** Custom length per Ft. cuttable every 2"
- 2 =** Custom color finishes require powder coating. Allow 7 days lead time.





**PSDL SERIES** indoor/outdoor drivers are highly efficient, stable with smooth dimming capability compatible with most TRIAC, ELV, MLV, reverse and forward phase dimmers, and on/off switches. These drivers are derated allowing them to be loaded to maximum wattage capacity.

### FEATURES

- High power factor/efficiency
- Short circuit and over current protection
- 100~277V AC for any residential or commercial application
- Superior PWM dimming technology
- Factory derated
- Only 10% minimum load
- Compatible with TRIAC, MLV and ELV dimmers
- Flicker-free dimming

### INPUT

INPUT VOLTAGE RANGE	100~277V AC
INPUT FREQUENCY RANGE	47~63 Hz
POWER FACTOR (AVG.)	≥0.98 (120VAC) ; ≥0.96 (277VAC)
AC CURRENT (MAX.)	1.3A (100V AC)
INRUSH CURRENT	20A, 50%, 1.6ms
LEAKAGE CURRENT	<0.5mA

### OUTPUT

OUTPUT VOLTAGE	24V DC
OUTPUT CURRENT @ MAX LOAD	4A
OUTPUT MAX WATTAGE	96W
MINIMUM LOAD	10%
MAXIMUM LOAD	100%

### ADDITIONAL SPECIFICATIONS

ENVIRONMENT	Outdoor Rated IP65
DIMMING	ELV, MLV & TRIAC
SHORT CIRCUIT	Short Circuit auto recovery
WIRE TERMINAL CONNECTION	Fits up to 12AWG
HOUSING / COOLING	Free-air convection

### SPECIFICATIONS

CLASS 2	YES
LOAD REGULATION	2%
LINE REGULATION	5%
INPUT FREQUENCY	47~63 Hz
POWER FACTOR	>0.92
EFFICIENCY	>83%
MTBF	50,000 hrs.
OPERATING ENVIRONMENT	-40°F ~ 140°F (-40°C ~ 60°C)
FUNCTION SURFACE TEMP	-40 to +80 (25 C AMB)
STORAGE TEMPERATURE	-40°F ~ 176°F (-40°C ~ 80°C)
HUMIDITY	20~90% RH, non condensing
LENGTH	8.67" (220.2MM)
WIDTH	3.67" (93.2MM)
HEIGHT	1.62" (41.1MM)

### MISC

SAFETY STANDARDS	UL-8750, UL 1310
WITHSTAND VOLTAGE	I/P-O/P : 1.88KV AC
EMC EMISSION	FCC Part 15 B
WARRANTY	5 year Limited

