

Fixture Type
Materials
Finish

Interior linear LED strip
Aluminium
Silver
*consult factory for other finishes

Lamp Type
Lamp Quantity
Lamp Included
Wattage
Input Voltage
Delivered Lumens
Kelvin
CRI
Power S Type
Power S Quantity
Power S Location
Dimming Type

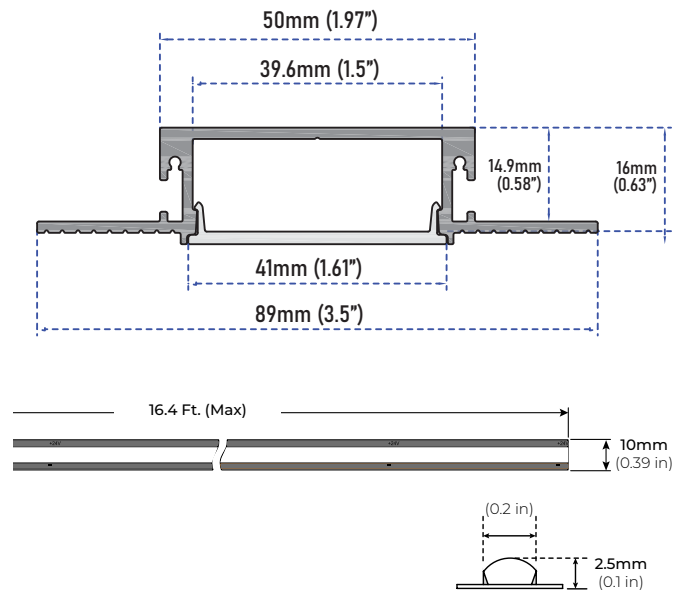
LED
n/a
Yes
3 W/ft
24 VDC
250 lm/ft
2700 K
95
Driver
Up to 25 ft
Remote
ELV

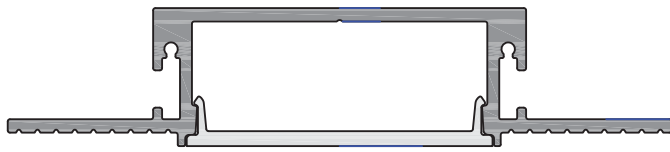
Designer

Core

Listings

UL
JA8 Listed
DRY





The ALP-2800TL is an Architectural Grade, LED extrusion profile designed for recessed applications. Made from high quality aluminum, these extrusions provide superior thermal management for higher wattage LED strips prolonging the overall lifespan of the lighting system. Manufactured with a patented frosted diffuser for maximum lumen output and a wider beam distribution.

SPECIFICATIONS

TYPE	Recessed mount
AVAILABLE LENGTHS	48" & 96"
FINISH	Matte White
LENS OPTIONS	Frosted
TRANSFORMER	Remote
APERTURE	1.5"
CHANNEL	ALP2800TL
LENS (INCLUDED)	ALP2800TL-LN
END CAP (SOLD SEPARATELY)	ALP2800TL-EC
STRAIGHT CONNECTOR (SOLD SEPARATELY)	ALP2000TL-STB
INTERNAL CONNECTOR (SOLD SEPARATELY)	ALP2000TL-L90

Compatible with LED strips up to 40mm (1.5") wide.

Frosted Lens diffuser included w/ every channel

Custom color finishes available (powder-coating).

Remote mounted low-voltage power supply sold separately

FEATURES

- Customizable
- Field cuttable
- 1.5" Aperture
- Accomodates LED strips up to 40mm wide (1.5")
- Recessed mount to fit flush onto installation surface
- Frosted Lens diffuser included
- Durable, anodized aluminum
- Protects LEDs from dust and other elements
- Dissipates heat from LED

STANDARD ORDERING CODE (CHANNEL)

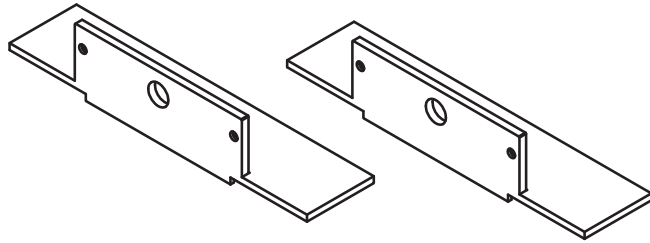
EX:
ALP2800TL-48-FR

Model	Length	Lens
ALP2800TL	48 48"	FR Frosted
	96 96"	



COMPATIBLE ACCESSORIES

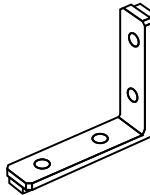
ALP2800TL-EC | END CAP
(sold separately)



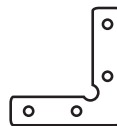
ALP2000TL-STB | STRAIGHT CONNECTOR
(sold separately)



ALP2000TL-L90 | INTERNAL CONNECTOR
(sold separately)



ALP2000TL-INB | INTERNAL CONNECTOR
(sold separately)



Cutttable to any length and able to deliver a solid stream of linear light, the **LSM- 46CB** features the latest in COB technology (Chip On-Board) for total linear diffusion in a low profile package.

LUMENS

CCT	LM/ FT
2700K	494
3000K	521
4000K	549
5000K	549
6500K	549

SPECIFICATIONS

INPUT VOLTAGE	24V DC
POWER CONSUMPTION	4.6W/Ft.
LUMEN OUTPUT	521 Lm/Ft. (30K)
NO. OF LEDs	98 LEDs/ Ft.
CRI	90+
DIMMING	MLV, ELV, 0-10 and TRIAC
MAXIMUM RUN LENGTH	16.4 Ft.
CUTTABLE	Free-cutting Length, 1 LED
OPERATING TEMPERATURE	-4°F (-20°C) ~ 113°F (45°C)
BEAM ANGLE	120°
IP RATING	Dry location (Indoor)
CERTIFICATIONS	UL Listed, TITLE 24 JA8
LUMEN MAINTENANCE	50,000 Hrs.



MODEL	COLOR TEMP	LENGTH	VOLTAGE	PROFILE
LSM46CB	27K 2700K	16 16 Ft.	24V 24V DC	<i>See Page 3 for compatible profiles.</i>
	30K 3000K	100 100 Ft.		
	40K 4000K	1XX per Ft.		
	50K 5000K			
	65K 6500K			



LSA-PC10-FR-48 is an easy and efficient way to protect your LED strip while giving it a decorative and attractive look. It comes conveniently with an adhesive strip on the back for easy installation. Simply peel and apply on a clean LED strip surface. These can be placed from end to end of the LED strip or cut to a certain length particular to a specific project or application.



SPECIFICATIONS

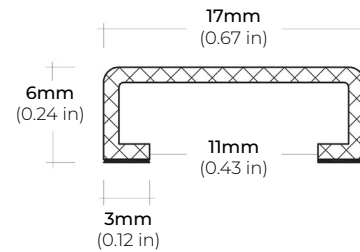
TYPE	Surface mount
AVAILABLE LENGTHS	48"
DIMENSIONS	(0.67 x 0.24") (LxH)
LENS OPTIONS	Frosted

**LED strips sold separately.*

FEATURES

- Compatible with LED strips up to 0.4" (10mm) wide
- Surface mount onto LED strip
- Frosted diffuser
- Peel-off adhesive backing
- Protects LED prolonging its lifetime

DIMENSIONS



MODEL	LENS	SIZE
LSA-PC10	FR Frosted Lens	48 48"

