

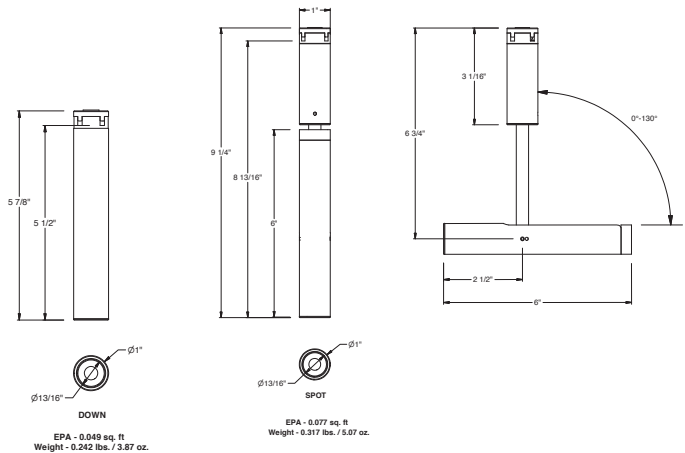


Fixture Type  
Materials  
Finish

Garden Fixture  
Metal  
Black  
\*consult factory for other finishes

Lamp Type  
Lamp Quantity  
Lamp Included  
Wattage  
Input Voltage  
Delivered Lumens  
Kelvin  
CRI  
Power S Type  
Power S Quantity  
Power S Location  
Dimming Type

LED  
1  
Yes  
10 W  
24V  
780  
2700 K  
90  
Driver  
Up to 12 fixtures  
Remote  
0-10V



Designer

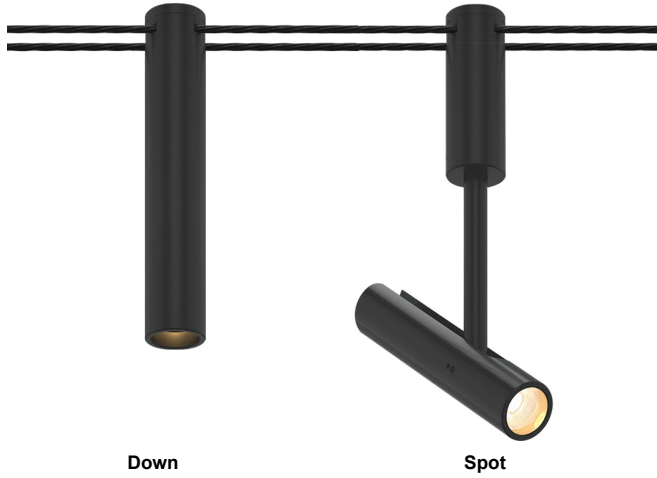
Bruck

Listings

ETL  
IDA DARK SKY  
WET



**SKYLINE** Outdoor / Indoor Catenary Fixture IP67  
Static White Down & Spot



ORDERING CODE		
SERIES	EXT	exterior
TYPE	SKY-D SKY-S	skyline down, cylinder skyline spot, pan and tilt
LED	SW	static white
DELIVERED LUMENS	10LM	780 lm
CCT	27K 30K 35K 40K	2700K 3000K 3500K 4000K
CRI	80 90	80 CRI 90 CRI
LENS OPTION	20D 25D 30D 40D E	20 degrees 25 degrees 30 degrees 40 degrees elliptical beam spread
VOLTAGE	24	24V
FINISH	BK <sup>1</sup>	black
BEZEL COLOR	BK MC GD	black matte chrome gold
ACCESSORIES	See page 3 for details.	

ORDERING CODE

Follow the steps to specify your fixture, example:  
EXT - SKY - D - SW - 10LM - 30K - 90 - 20D - 24 - BK - BK

SW (LED)	POWER	
DELIVERED LM	W (80/90 CRI)	LPW
780	10	78

NOTES  
1. For custom finishes consult factory.

EFFECTIVE PROJECTED AREA RATINGS (EPA)		
SKYLINE CONFIGURATION	EPA (FT2)	WEIGHT - LBS. / OZ.
SKY-D	0.04895	0.242 / 3.87
SKY-S	0.077	0.317 / 5.07

**DESCRIPTION**

SKYLINE is a lightweight, highly versatile, and exceptionally elegant catenary system for indoor and outdoor applications. Up to 780 lumens from a 1" aperture cylinder. SKYLINE enables safe, reliable, clutter-free catenary on strong woven Kevlar, self-healing cable with marine grade, hard anodized aluminum fixture housings. Applications are endless, from outdoor gathering spaces to indoor accent lighting for retail and hospitality.

**HOUSING**

- Hard anodized, marine grade aluminum in matte black.
- Polycarbonate protective IK10 rated.
- Ambient operating temperatures Min. -40°F / Max 131°F.
- IP 67 rated Down or Spot: standard, snoot, wand and prism

**MOUNTING**

- Twin cable powered suspended catenary system

**ELECTRICAL /CONTROLS**

- 0-10V and DALI dimmable, see remote drivers for details.
- 24VDC input

**LISTING**

- ETLus listed to UL2108 (suitable for dry, damp and wet locations)
- cETL listed to CSA C22.2 #250.0
- Accessories are not approved for International Dark-Sky Association certification.
- 3000k or warmer must be selected for International Dark-Sky Association approval.

**LED INFO**

- 90 CRI: SDCM = 3-step MacAdam Ellipse, Lumen Maintenance: L<sub>70</sub> > 100,000 hrs
- 80 CRI: SDCM = 3-step MacAdam Ellipse, Lumen Maintenance: L<sub>70</sub> > 100,000 hrs



### REMOTE DRIVER 10V - ORDERING CODE

PART NUMBER	P70495	LED driver with box
VOLTAGE	24	24V
DIMMING	10V	0-10V dimming to 10%
ELECTRICAL OPTIONS	150 320	150W 320W

ORDERING CODE

Follow the steps to specify your fixture, example:  
P70495 - 24 - 10V - 150

#### A: MAXIMUM WIRING DISTANCE FROM DRIVER TO START OF RUN LENGTH AT VARIOUS LOADS

NO. OF SKYLINES	5	10	15	20	25
AWG VALUE	DISTANCE (FT)				
10	100	100	75	60	40
12	100	75	50	40	30
14	75	50	35	25	20
CATENARY CABLE (18AWG)	"AS NEEDED" MUST SUBTRACT FROM - "CATENARY RUN LENGTH", SEE WIRING DESIGN GUIDE 1				

#### B: MAXIMUM CATENARY RUN LENGTH AT VARIOUS LOADS

NO. OF SKYLINES	5	10	15	20	25
DRIVER OUTPUT	DISTANCE (FT)				
150W	210	105	N/A	N/A	N/A
320W	210	105	70	52	42

ORDERING CODE

Follow the steps to specify your fixture, example:  
EXT / SKY - CABLE

### DESCRIPTION

- Meanwell HLG-150H / 320H Class 1 Constant Voltage LED Power Supply
- Up to 12 Skylines on 150W and 25 on 320W
- 0-10V Dimmable to 10%
- 12"x12"x4" Indoor or Outdoor metal housing.
- (2x) 1/2 KOs, (4x) 3/4 KOs, (3x) 1 KOs, (1x) 1-1/4 KOs and (4x) mounting holes

### ELECTRICAL/CONTROLS

- 90-305 VAC, 47-63Hz input
- 150W / 320W max output
- Ambient temperature @ full load: -40°C / -40°F to +60°C / 140°F
- NEMA 3R enclosure
- Outdoor rated: Rainproof
- Short circuit protection
- Overload protection
- Over-voltage protection
- Thermal protection
- Built in PFC function
- Box: Length = 12", Height = 12", Width = 4"
- Driver: Length = 8-5/8", Width = 2-5/8", Height = 1-1/2"

## SKYLINE SYSTEM

Skyline Outdoor/Indoor Catenary Cable IP67  
System Hardware



### DESCRIPTION

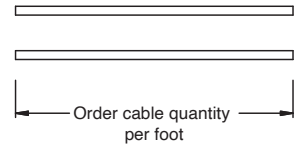
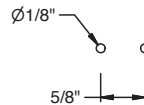
SKYLINE is a lightweight, highly versatile, and exceptionally elegant catenary system for indoor and outdoor applications. Up to 780 lumens from a 1" aperture cylinder. SKYLINE enables safe, reliable, clutter-free catenary on strong woven Kevlar, self-healing cable with marine grade, hard anodized aluminum fixture housings. Applications are endless, from outdoor gathering spaces to indoor accent lighting for retail and hospitality.

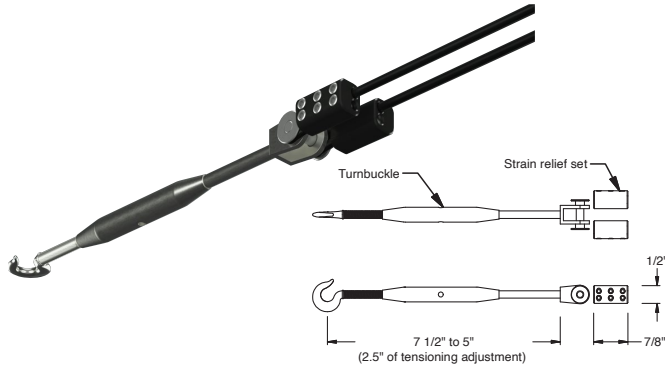
### MOUNTING

- Twin cable powered suspended catenary system.
- Kevlar / Copper cable braid, breaking strength of 100Kg / 220lbs.
- Hydrolysis UV resistant TPE outer jacket, Black.
- Dim over power. 0-10V and Dali (together)
- Ambient operating temperatures Min. -40°F / Max 131°F.
- Kevlar Cable (set of 2): 0.022 lbs. / 0.35 oz. per foot.
- Turnbuckles (set of 2): 0.175 lbs. / 2.80 oz.
- Strain Reliefs (set of 4): 0.058 lbs. / 0.93 oz.
- Wall mounting plate: 0.087 lbs. / 1.39 oz.
- Eyebolt: 0.055 lbs. / 0.88 oz.
- Pole/Tree strap: 0.25 lbs. - 0.5 lbs. / 4 oz. - 8 oz.

### LISTING

- ETLus listed to UL2108 (suitable for dry, damp and wet locations)
- cETL listed to CSA C22.2 #250.0





### TURNBUCKLE ORDERING CODE

SERIES	EXT	exterior
TYPE	SKY-TB	skyline, single turnbuckle and strain reliefs set

ORDERING CODE

Follow the steps to specify your fixture, example:  
EXT / SKY - TB

#### DESCRIPTION

- Turnbuckle: 0.0875 lbs. / 1.40 oz.
- Strain Reliefs (set of 2): 0.024 lbs. / 0.47 oz.

### WALL MOUNT ORDERING CODE

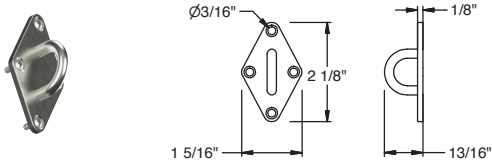
SERIES	EXT	exterior
TYPE	SKY-WALL	skyline, universal wall mount

ORDERING CODE

Follow the steps to specify your fixture, example:  
EXT / SKY - WALL

#### DESCRIPTION

- Wall plate: 0.087 lbs. / 1.39 oz.



### POLE/TREE MOUNT ORDERING CODE

SERIES	EXT	exterior
TYPE	SKY-POLE	skyline, pole/tree mount
SIZE	1 <sup>1</sup>	2.50" to 3.50", diameter
	2	5.75" to 7.75", diameter
	3	8.75" to 10.75", diameter
	4	10.50" to 12.50", diameter
	5	15.50" to 17.25", diameter
	6	8.125" to 9.875", diameter
	7	3.50" to 4.50", diameter

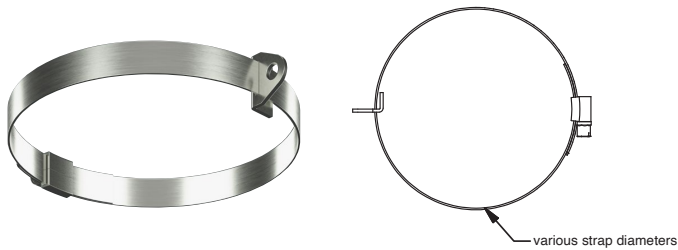
ORDERING CODE

Follow the steps to specify your fixture, example:  
EXT / SKY - POLE / 2

NOTE  
1. for additional strap diameters consult factory.

#### DESCRIPTION

- Tree/Pole clamp: 0.25 lbs. - 0.5 lbs. / 4 oz. - 8 oz.



Consult factory for specific strap diameter

### EYEBOLT MOUNT ORDERING CODE

SERIES	EXT	exterior
TYPE	SKY-MAS SKY-TIM SKY-MET	skyline, eyebolt mount for masonry skyline, eyebolt mount for timber skyline, eyebolt mount for sheet metal

ORDERING CODE

Follow the steps to specify your fixture, example:  
EXT / SKY - MAS

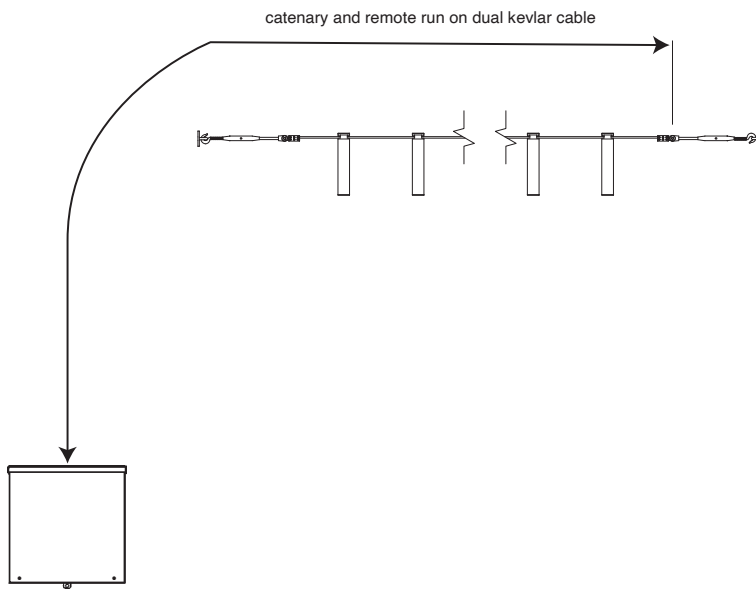
#### DESCRIPTION

- Eyebolt: 0.055 lbs. / 0.88 oz.

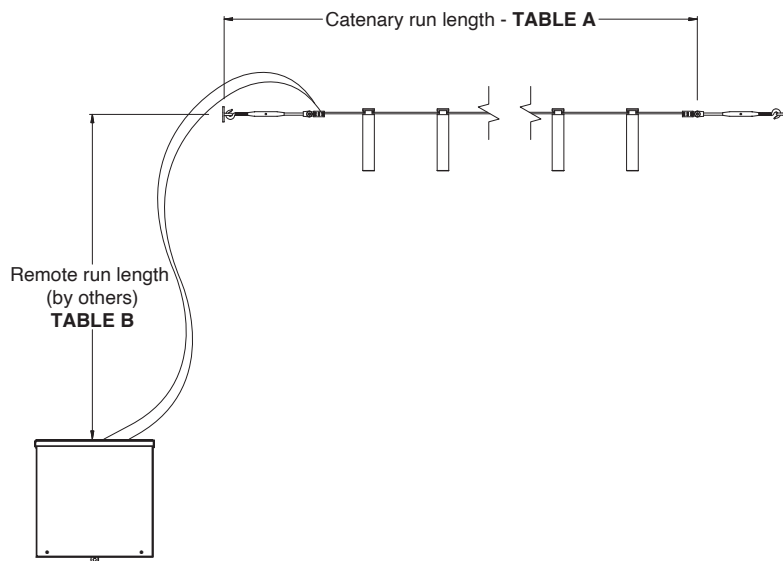


## WIRING DESIGN 1

Example: 15 Skylines at a maximum of 70 ft of Kevlar cable, but only need 50ft of catenary run.  
The remaining 20ft can be designated for remoting to the driver.  
NOTE: Run lengths will vary based on number of skylines and installation requirements.



## WIRING DESIGN 2



REMOTE DRIVER

