

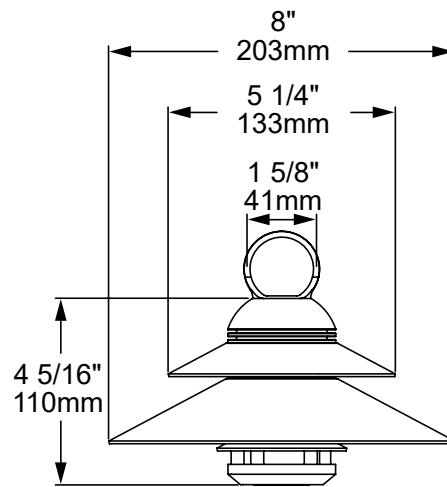


**Fixture Type** Pendant  
**Materials** Brass  
**Finish** Brass  
 \*consult factory for other finishes

**Lamp Type** LED  
**Lamp Quantity** 1  
**Lamp Included** Yes  
**Wattage** 8 W  
**Input Voltage** 12 VAC  
**Delivered Lumens** 192 lm  
**Kelvin Temperature** 2700 K  
**CRI** 80  
**Power S Type** Transformer  
**Power S Quantity** Up to 8 fixtures  
**Power S Location** Remote  
**Dimming Type** ELV

**Designer:** AURORA

**Listings** UL  
WET

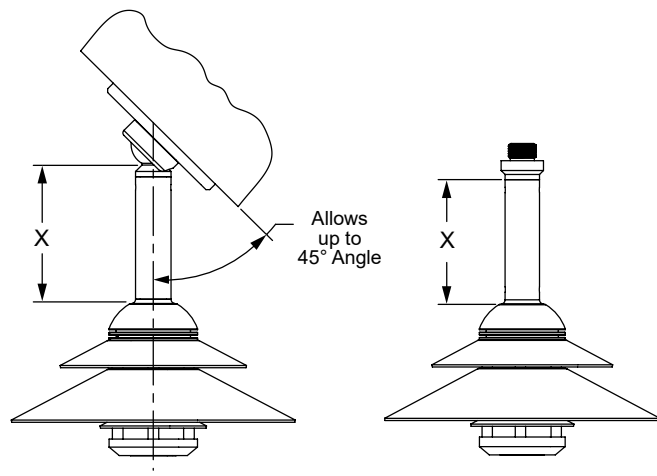


## LML250-C8-GTL CYRANOS

The **LML250** Moonlighter series of LED pendants are a welcome addition to our growing line of innovative and exquisite downlights. This series is available in three elegant shade designs with two progressive sizes, the LML250, and the larger LML350. Both are complementary to our popular LBD Bollard series and LWM series wall sconces. This estate-quality luminaire is ideal for creating ambient mood lighting in intimate spaces or task lighting over counters and bartops.

**Features include:**

- 8 Watts up to 192 Lumens
- Cree LED™ XLAMP® Extreme High Power (XHP)
- 2700K (80 CRI) or 3000K (80 CRI)
- Thermally Integrated® and Field Serviceable LED Module
- 12V Integral Driver, Dimmable to <10% typ.
- Compatible w/ 12V AC/DC ELV or MLV Transformers
- Solid Copper and Brass Construction



Rigid Mount w/ optional SW4

Rigid Mount

### The Echo COLLECTION

The Echo Collection™ from Auroralight are configurable and scale-able, Wall Sconce, Pendant and Bollard luminaires. This all-encompassing line of products was designed to complement one another while also providing the level customization everyone has come to expect from Auroralight.

### COPPER CORE TECHNOLOGY.

Copper Core® is a registered trademark of Auroralight. It is synonymous with the mark of quality and integrity. It means that our products are built upon a superior foundation of Solid Copper, ensuring every critical part functions seamlessly together Thermally integrated® one component to the next. Auroralight manufactured without compromise, engineered with passion, in the USA.



**ORDERING GUIDE:** <sup>Prefix</sup> **LML250-C8-GTL** L (LED) ML (MOONLIGHTER) 250 (SERIES) C (CONICAL) 8 (INCHES) GTL (GLIMMER TOP W/ LOUVER)

☐ INDICATES REQUIRED FIELD    ☐ INDICATES OPTIONAL FIELD    ✓ INCLUDED IN BASE PRICE    [ \_ ] QUICK SPEC (See Below)

**QUICK SPEC SKU** **LML250-C8-GTL-27-C18-SB-NAT**



**LML250-C8**

**LED COLOR** ✓

- [27]** 2700K, 80 CRI
- [30]** 3000K, 80 CRI

NOTE: For other CCT and CRI options, contact factory

**MOUNT**

- [C18]** 18" Solid Brass Chain ✓
- [C36]** 36" Solid Brass Chain
- [RM-X]** Rigid Mount (Specify **4, 6, 8** or **10"**)

[X] = Specify Length

Note: For custom lengths of chain or cord, contact factory. 1/2" (NPS) Universal Threaded Loop will be Included with chain

**CANOPY OPTIONS**

NO CANOPY:

- [NC]** No Canopy ✓

CANOPY:

- [SB]** 2 1/2" Brass Splice Box (Only Compatible with Chain)

- [CP4]** 4" Cover Plate

- [CP45]** 4 1/2" Cover Plate

- [PC60]** 4 1/2" Power Canopy (Inc. 60W 120-12V trans.)

SWIVEL CANOPY (RM ONLY):

- [SW4]** 4" Swivel Cover Plate

- [PC60-SW4]** Power Canopy w/ Swivel (Inc. 60W 120-12V trans.)

Add **-C** (for Copper) or **-B** (for Brass) to canopy part numbers above for Escutcheon Material.

**FINISH**

STANDARD:

- [NAT]** Natural ✓

PLUS (\$):

- [BLP]** Bronze Living Patina

- [BLP-XD]** BLP Extra Dark

PREMIUM (\$\$\$):

- [NI]** Nickel PVD

- [BG]** Black Gloss PVD

- [BS]** Black Satin PVD

- [BZ]** Bronze PVD

- [BZ-XD]** Dark Bronze PVD

**MOUNTS**



**CANOPY OPTIONS**

