



Fixture Type
Materials
Finish

Wall Fixture
Brass
White
*consult factory for other finishes

Lamp Type
Lamp Quantity
Lamp Included
Wattage
Input Voltage
Delivered Lumens
Kelvin
CRI
Power S Type
Power S Quantity
Power S Location
Dimming Type

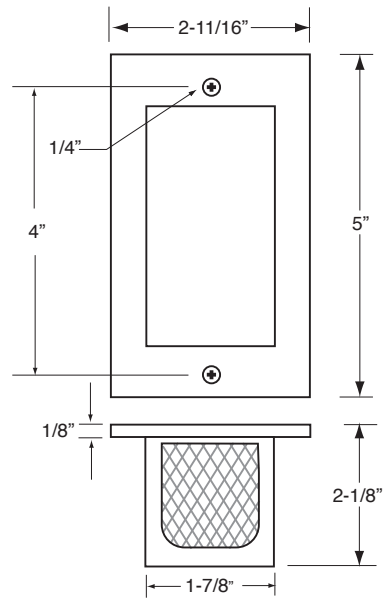
LED
1
Yes
4 W
12V
170 lm
2750K
90
Driver
1
Integral
ELV

Designer

Dreamscape

Listings

ETL
DAMP



Fixture Description:

A cast brass wet or dry location wall sconce utilizing a 4 watt energy saving 35,000 hour LED lamp for uplighting, downlighting, wall washing or grazing illumination techniques.

Construction:

A solid brass sand casting with a glass sealed louvered aperture.

Electrical:

DLED-127: Remote 12V power supply required. **DLED-127-SSD:** 120V feed wire to LV. Integral electronic solid state power supply requiring a 120V-AC feed and supplying 12 Volt AC power to the led module. Power supply is dimmable using reverse phase technology with a neutral present.

Dimming:

Dimmable down to 20%.

Mounting:

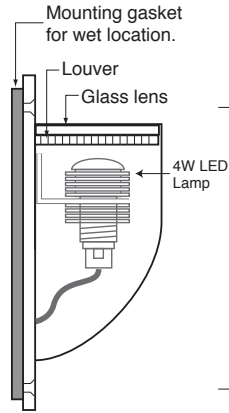
Solid brass 8/32" phillips screws mount faceplate to custom housing.

NOTE: Fixture may be mounted directly to surface without the DL-278 Back Box and powered by a remote transformer. Brackets on back box are optional and ordered separately.

Finishes:

1. Verde, 2. Satin Nickel, 3. Copper Bronze, 4. White, 5. Ancient Bronze, 6. Brass Bronze, 7. Custom, 8. Copper Plate, 9. Ancient Verde, 10. Grey Bronze, 11. Rust Brown*, 12. Black*, 13. Pewter, 14. Oil-Rubbed Bronze, 15. Copper Edged Bronze, 16. Black Iron Textured Matte*, 17. Copper Bronze Powder Coat*

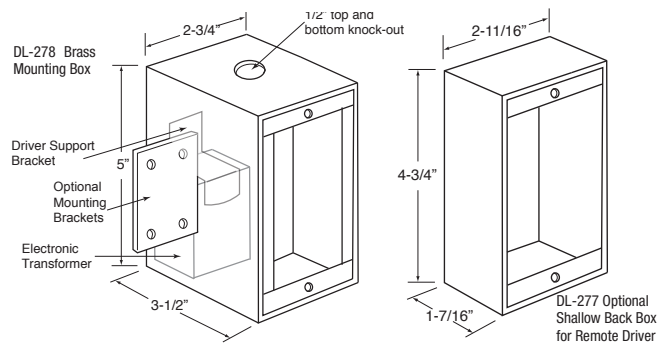
*Powder coat



Cat. Number	Description
DL-278	Brass mounting back box (Optional Brackets, ordered separately)
DL-277	Brass shallow back box (Optional Brackets, ordered separately)

Lamp:

Cat. Number	Description
406	4W 2750K, LED, Spot or Flood (40°), 170 lumens 12V AC/DC, Optional beam patterns available



To Form a Catalog Number:	Prefix:	Voltage	Location	Position	Lens	Lamp	Finish
	DLED-127-SSD	120	DRY	UP	B	406-4W 2750K LED	4 (White)
Which Specifies:	DLED-127-SSD	120V	DRY	UP	A - Linear	406-4W 2750K LED	4 (White)
	Includes DL-278 mounting box and solid state driver	277V	DAMP	DOWN	B - Diffusion	FL-Flood SP-Spot (other color temps. available)	See finishes above.
	DLED-127	12V	WET				
	Includes DL-278 Mounting Back Box with optional brackets. Back Box comes standard without brackets.						
	4 Watt LED Requires remote transformer						
	Optional DL-277 Shallow Mounting Back Box available.						

