



Fixture Type
Materials
Finish

Surface Fixture
Brass
Brass
*consult factory for other finishes

Lamp Type
Lamp Quantity
Lamp Included
Wattage
Input Voltage
Delivered Lumens
Kelvin
CRI
Power S Type
Power S Quantity
Power S Location
Dimming Type

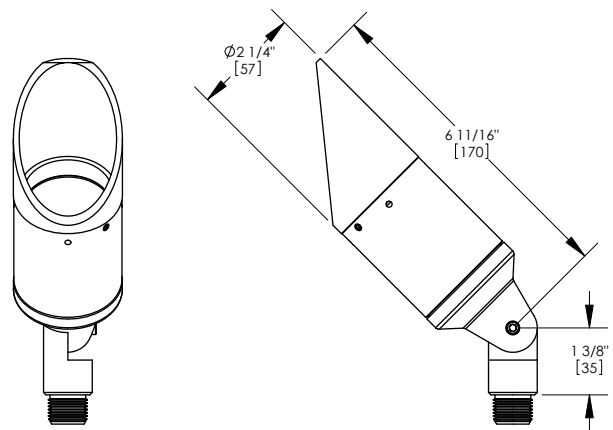
LED
1
Yes
8 W
12 VAC
300
3000 K
85
Driver
Up to 9 fixtures
Remote
n/a

Designer

Hevi

Listings

ETL
WET



DESCRIPTION:

Compact MR16 adjustable accent fixture with integral angled glare shield. Suitable for wet/damp/dry location installations.

MATERIAL:

Standard overall material is 6061 aluminum.

HL-369 - Machined Aluminum (Standard)

HL-369-2b - Machined Brass

FINISH:

AA - Anodized Satin Aluminum

AP - Powder Coat Aluminum

BK - Powder Coat Black

BZ - Powder Coat Bronze

WT - Powder Coat White

N - Natural, for Stainless Steel and Brass

HALOGEN LAMPING OPTION:

Lamp Type - 12V halogen MR16 lamp, bi-pin GX5.3 base, 50W max, not included (standard).

LED OPTIONS:

Integral high output LED, warm white 85 CRI (90 available)

2700K or **3000K** Standard (**4000K**, **5000K**, & **6000K** available)

3LED - 3W LED - 180 lumens

8LED - 8W LED - 300 lumens

8LED-E - 8.4W LED - 565 lumens

OPTICS

3LED and 8LED:

SP - Spot, 12°

NF - Narrow Flood, 24°

FL - Flood, 36°

8LED-E:

SP - Spot 14°

NF - Narrow Flood, 25°

MF - Medium Flood, 30°

FL - Flood, 40°

VOLTAGE:

12 - 12 VAC output transformer required, not included.

MOUNTING:

Fixture is designed with a 1/2-NPS adjustable mounting stem.

OPTIONS:

Lenses/Louvers/Color Filters

LA-1 - Hexcell Louver (Black)

LA-2 - Prismatic lens

LA-3 - Linear spread lens

LA-4 - Soft focus lens (diffused)

LA-5 - Moonlight lens

LA-6 - Blue lens

See fixture accessories for more information.

SAMPLE ORDER SPECIFICATION:

HL-369-BZ-12-LA-1

RATING:

Wet/damp/dry location.



Intertek

MADE IN THE USA

