



Fixture Type  
Materials  
Finish

Surface mounted  
Aluminium  
White  
\*consult factory for other finishes

Lamp Type  
Lamp Quantity  
Lamp Included  
Wattage  
Input Voltage  
Delivered Lumens  
Kelvin  
CRI  
Power S Type  
Power S Quantity  
Power S Location  
Dimming Type

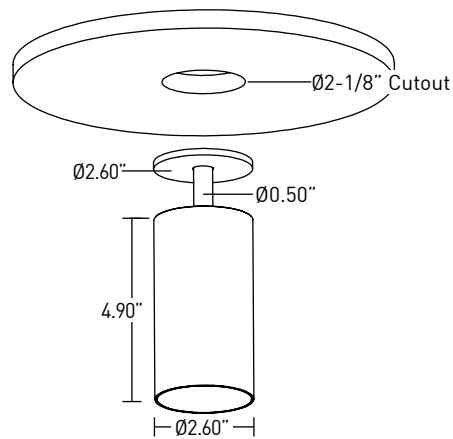
LED  
1  
Yes  
10W  
120-277V  
690-743  
2700K  
90  
Driver  
1  
Integral  
0-10V

Designer

Lucifer

Listings

UL  
Air Tight  
JA8 Listed  
DRY / DAMP / WET

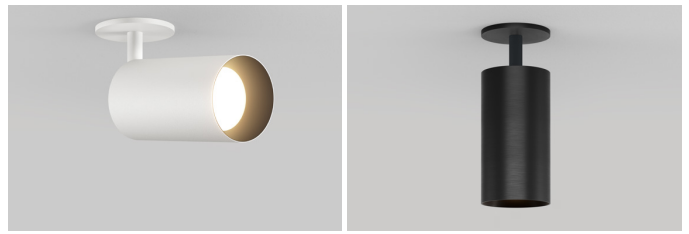


# lula

## MONOPOINTCM1 ADJUSTABLE ITEM # LLCM1-SL-AD1-WH-WH-WH-90C10A-27-22-CE-2-J

### CM1 ADJUSTABLE

Elegant design means this monopoint does more. An inventive elbow built into the fixture body that allows a full 90 degree tilt and drop lengths of up to 1' extend adjustability.



#### ORDERING INFORMATION - MONOPOINT



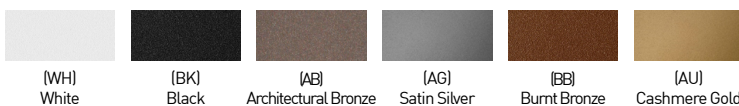
JA8-2019 COMPLIANCE INDICATED BY SHADING

CYLINDER	LENGTH	FIXTURE	BODY FINISH	BAFFLE FINISH	STEM FINISH	LUMEN PACKAGE	CCT	OPTIC	DRIVER	EFFECTS DEVICE	MOUNTING
CM1	2.60"	AD1									
CM1 2.60"	<b>LENGTHS</b> SL 1.4" Standard 06 6" 12 12"  <b>CUSTOM LENGTHS</b> XX Specify in 1" increments between 2"-11" (Ex. 4" = 04)* *(Increased lead time)  *STEMS ARE NOT FIELD CUTTABLE	AD1 90° Tilt Dry/Damp	<b>POWDERCOAT</b> WH White BK Black AB Architectural Bronze AG Satin Silver CF Custom Finish* *(Consult Factory)  <b>ALUMINA</b> 01 Brushed Obsidian 02 Matte Obsidian 03 Brushed Dark Patinated Bronze 04 Matte Dark Patinated Bronze 05 Brushed Aged Aluminum 06 Matte Aged Aluminum 07 Brushed Cast Brass 08 Matte Cast Brass 09 Brushed Light Patinated Bronze 10 Matte Light Patinated Bronze	<b>POWDERCOAT</b> WH White BK Black AB Architectural Bronze AG Satin Silver AU Cashmere Gold BB Burnt Bronze CF Custom Finish* *(Consult Factory)  <b>ALUMINA</b> CONSULT FACTORY FOR ALUMINA FINISHES	<b>POWDERCOAT</b> WH White BK Black AB Architectural Bronze AG Satin Silver CF Custom Finish* *(Consult Factory)  <b>ALUMINA</b> CONSULT FACTORY FOR ALUMINA FINISHES	<b>STATIC WHITE</b> 80C12A 80+ CRI, Delivered Lumens - 867 90C10A 90+ CRI, Delivered Lumens - 743 97C09A 97+ CRI, Delivered Lumens - 653  <b>REMOTE STATIC WHITE</b> 80C19A 80+ CRI, Delivered Lumens - 1338 90C15A 90+ CRI, Delivered Lumens - 1146 97C14A 97+ CRI, Delivered Lumens - 1025  <b>REMOTE WARM DIM</b> 90W11A 90+ CRI, Delivered Lumens - 854 Incandescent Profile 90W12A 90+ CRI, Delivered Lumens - 870 Standard Profile  *SEE PAGE 3 FOR WARM DIM PROFILE COMPARISON.  *DELIVERED LUMENS AND T24 COMPLIANCE REFLECT 3000K PAIRED WITH 15° OPTIC AND SOFT FOCUS LENS.	22 2200K* *(Only available with 90+ CRI) 27 2700K 30 3000K 35 3500K 40 4000K  27 2700K 30 3000K 35 3500K 40 4000K  WL 2700K - 1800K WD 3000K - 1800K	10 10°** *(Not available with 2200K) 15 15° 22 22° 40 40° 60 60°  10 10°** *(Not available with 2200K) 15 15° 22 22° 40 40° 60 60°  15 15° 22 22° 40 40° 60 60°	<b>INTEGRAL</b> CA 0-10V Analog 120-277V CE Electronic ELV / TRIAC 120V  <b>REMOTE</b> L2 Lutron, Hi-Lume 1% 2-wire 120V SG 0-10V Analog, LOG 1% 120 or 277V SN 0-10V Analog, LIN 1% 120 or 277V LH Lutron, Hi-Lume Ecosystem 1% Fade to Black, 120 or 277V LP Lutron, Hi-Lume Premier Ecosystem 0.1% Fade to Black, 120 or 277V EG eldoLED, SOLOdrive 0.1% 0-10V, LOG 120 or 277V EN eldoLED, SOLOdrive 0.1% 0-10V, LIN 120 or 277V ED eldoLED, SOLOdrive 0.1% DALI, LOG 120 or 277V	<b>STANDARD EFFECTS DEVICE</b> 4 Soft Focus Lens 0 No Lens* *(Standard with 10° optic)  <b>ALTERNATE EFFECTS DEVICE</b> 2 Honeycomb Louver* *(Not available for Warm Dim) 3 Clear Glass Lens* *(Not available for Warm Dim) 5 Frosted Glass Lens 6 Frosted Soft Focus Lens 7 Frosted Linear Spread Lens S Soft Focus Lens w/ Honeycomb Louver F Frosted Glass Lens w/ Honeycomb Louver	<b>ROUGH-IN</b> J JBMP 4" Sq. or 4/0 Junction Box Mounting Plate. Features 2.6" diameter canopy* *(Mounting plate must be installed on junction box prior to ceiling installation)  <b>FINISH OUT</b> G Zero Sightline Gypsum (1/16" Appliqué) Features 2.6" diameter canopy* *(Mounts to 4/0 junction box) C CMJB 1/2" and 3/4" Conduit Ceiling Mount Junction Box. Features matching 3.25" canopy* *(Available in powdercoat finishes. Alumina finish fixtures ship with Black powdercoat CMJB.) R Remodel 4.5" Flange Overlay Canopy* *(Mounts to existing 4/0 junction box)

#### PART NUMBER NOTES

- CM1 ships as e.g., CM102AD1WHBKWH90C10\*3040CA\*4J
- Remote driver ships as e.g., PS-RMT-90C-10A-1L2\*
- Mounting ships separate from fixture, part numbers listed on page 3.

#### POWDERCOAT FINISHES



#### ALUMINA FINISHES BY LUCIFER LIGHTING™



\*ALUMINA FINISHES ARE ANODIZED ALUMINUM

LULA LUMINAIRE LLC  
2361-B S. Robertson Blvd.  
Los Angeles, CA. 90032  
424.333.0054  
info@lula.biz



### ACCESSORIES

#### ALTERNATE EFFECTS DEVICES

- HCL-CT1** Honeycomb Louver\*  
\*(Not available for Warm Dim)
- CGL-CT1** Clear Glass Lens\*  
\*(Not available for Warm Dim)
- SFL-CT1** Soft Focus Lens
- FGL-CT1** Frosted Glass Lens
- FSFL-CT1** Frosted Soft Focus Lens
- FLSL-CT1** Frosted Linear Spread Lens

#### REPLACEMENT OPTICS

- Interchangeable optics accessible by removing baffle.
- RO-50-15-2** 15° optic
  - RO-50-22-2** 22° optic
  - RO-50-40-2** 40° optic
  - RO-50-60-2** 60° optic

### PERFORMANCE - 3000K

LUMEN PACKAGE	WATTAGE	10° OPTIC NO SOFT FOCUS LENS		15° OPTIC SOFT FOCUS LENS		22° OPTIC SOFT FOCUS LENS		40° OPTIC SOFT FOCUS LENS		60° OPTIC SOFT FOCUS LENS	
		DELIVERED	LPW	DELIVERED	LPW	DELIVERED	LPW	DELIVERED	LPW	DELIVERED	LPW
80C12A	10	668	67	867	87	676	68	824	82	805	81
80C19A	17	960	56	1338	79	1042	61	1271	75	1242	73
90C10A	10	566	57	743	77	579	58	706	71	690	69
90C15A	17	813	48	1146	67	893	53	1089	65	1064	63
97C09A	10	524	52	653	65	518	52	632	63	618	62
97C14A	17	752	44	1025	60	799	47	974	57	952	56
90W11A (2700K)	16	-	-	854	53	688	43	859	54	806	50
90W12A	16	-	-	870	54	701	44	869	54	820	51

OUTPUT MULTIPLIER	
CCT	CCT SCALE
2200K (Contact factory for JA8 details)	0.800
2700K	0.957
3000K	1.000
3500K	1.019
4000K	1.030

LIGHT LOSS FACTOR MULTIPLIER	
Optic	Multiplier
No Lens	1.05
CGL	1.00
SFL	1.00
FGL	0.90
FSFL	0.87
FLSL	0.83
HCL	0.65
SFL W/ HCL	0.65
FGL W/ HCL	0.58

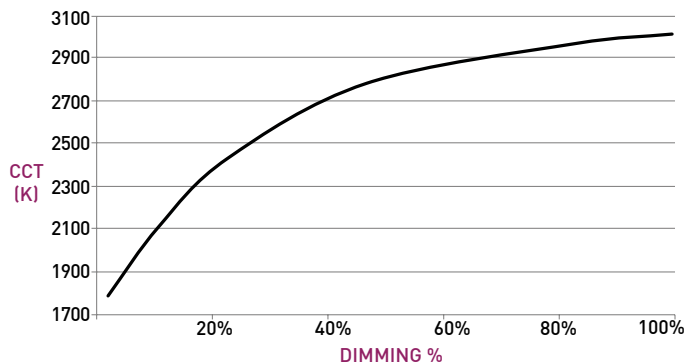


JA8-2019 INDICATED BY SHADING

### WARM DIM PERFORMANCE - SOFT FOCUS LENS - 15° OPTIC

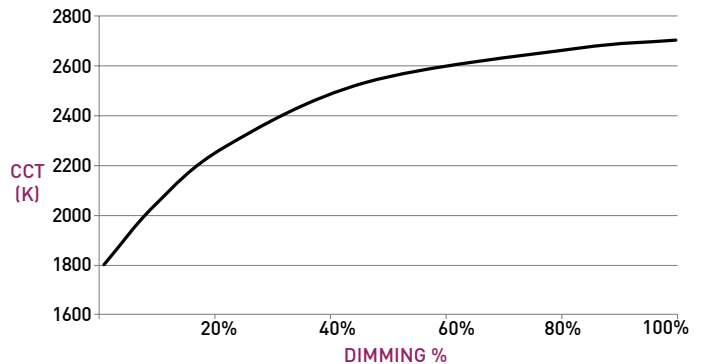
STANDARD WARM DIM PROFILE

90W12A 3000K - 1800K	Full on 100%	Dimmed to 80%	Dimmed to 70%	Dimmed to 50%	Dimmed to 20%	Dimmed to 10%	Dimmed to 2%
CCT (K)	3000	2950	2920	2775	2375	2000	1800
Light Output (Lm)	870	696	609	435	174	87	17
Power (W)	16	13	11	8	3	1.6	0.3
Efficacy (LPW)	54	54	54	54	54	54	54



WARM DIM TO MIRROR INCANDESCENT DIMMING PROFILE

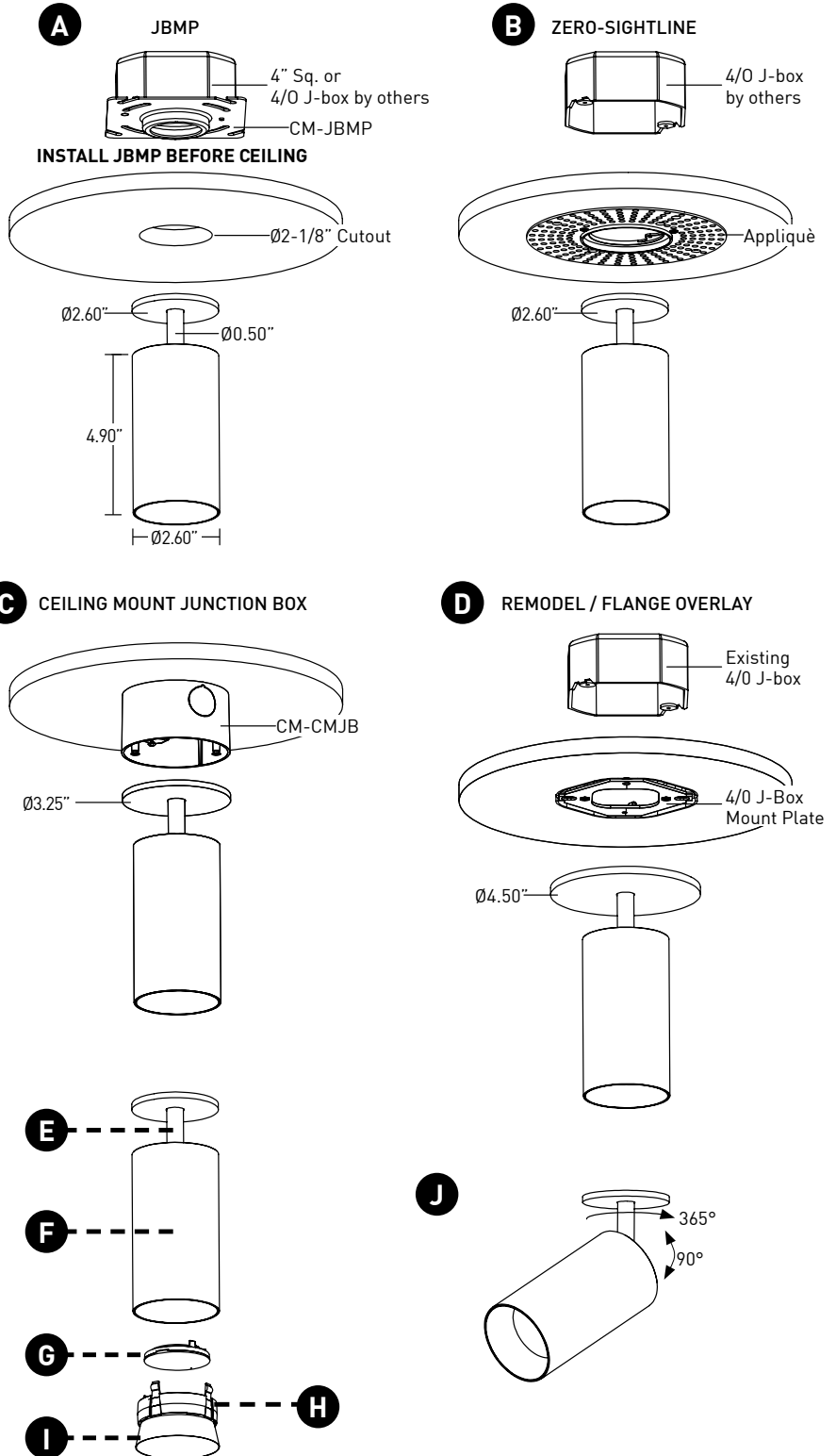
90W11A 2700K - 1800K	Full on 100%	Dimmed to 80%	Dimmed to 70%	Dimmed to 50%	Dimmed to 20%	Dimmed to 10%	Dimmed to 2%
CCT (K)	2700	2650	2620	2520	2180	1950	1800
Light Output (Lm)	854	683	598	427	170	85	17
Power (W)	16	13	11	8	3	1.6	0.3
Efficacy (LPW)	54	54	54	54	54	54	54



### MONOPOINT

- A JBMP**  
Mounting plate (concealed) for standard 4" square or 4" 4/0 j-box. To be installed during rough-in prior to substrate. Features minimalist 2.6" diameter canopy  
Part Number - CM-JBMP.
- B ZERO-SIGHTLINE**  
Provided with mud-in appliqué that mounts to standard 4" 4/0 junction box. Allows fixture canopy to be recessed into ceiling for a flush or zero-sightline aesthetic. Standard plaster stop thickness of 1/16". Not recommended for stucco applications.  
Part Number - DLA-APP-CM
- C CEILING MOUNT JUNCTION BOX**  
Ceiling mount junction box perfectly matches canopy profile for a continuous, integrated look where exposed ceiling mount junction box and conduit applications apply. For use with 1/2" and 3/4" EMT conduit only. Features two conduit entrances on either side and one conduit knockout on top of j-box. J-box is IP10 rated; powdercoat finishes only. Blank off plugs included.  
Part number - CM-CMJB-[Finish].
- D REMODEL / FLANGE OVERLAY**  
Provided with oversized canopy and mounting plate for standard 4" 4/0 junction boxes. Ideal for existing applications and features oversized 4.5" canopy to cover standard 4" octagon box cutout.
- E STEM**  
Standard length is 1.4", available in even-inch increments between 2"-12". Stem is not field cuttable. Powdercoat finishes standard, consult factory for Alumina finishes.
- F BODY**  
Available in powdercoat and Alumina finishes.
- G OPTICS**  
Optic integrates Reflection, Refraction and TIR offering 10°, 15°, 22°, 40° & 60° beams.
- H EFFECTS DEVICES**  
Accepts 2 effects devices; Soft Focus Lens standard.
- I BAFFLE**  
Baffle minimizes aperture glare and conceals view into fixture. Powdercoat finishes standard, consult factory for Alumina finishes.
- J ADJUSTABILITY**  
Features 90° tilt and 365° rotation.

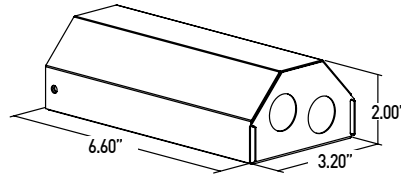
### DIMENSIONS / DRAWINGS



### REMOTE POWER SUPPLY

- K** Remote power supply provides additional driver options. See page 5 for maximum allowable wiring distance. Must be installed in an accessible location.

### DIMENSIONS / DRAWINGS



### TECHNICAL

#### CONSTRUCTION

**Monopoint:** Machined aluminum body; painted finishes are granulated powder coat; Alumina finishes are anodized.

**Remote Power Supply:** 22 Gauge galvanized steel.

**Applicqué:** Machined Aluminum

#### STATIC WHITE LED

2-step MacAdam ellipse LED module available in 80+, 90+ and 97+ CRI configurations in color temperatures of 2200K, 2700K, 3000K, 3500K and 4000K. Average rated lamp life of 50,000 hours.

#### WARM DIM LED

3-step MacAdam ellipse warm dim LED module available in 90+ CRI configuration. 3000K or 2700K at full brightness, warming to 1800K at full dim. Average rated lamp life of 50,000 hours.

#### POWER SUPPLY PERFORMANCE AND DIMMING INFORMATION

Power Supply	PHASE		ECO		0-10V					DALI
	CE	L2	LH	LP	CA	SG	SN	EG	EN	ED
Minimum °C	-20 °C	0 °C	0 °C	0 °C	-20 °C	-20 °C	-20 °C	-20 °C	-20 °C	-20 °C
Maximum °C	40 °C	40 °C	40 °C	40 °C	40 °C	40 °C	40 °C	40 °C	40 °C	40 °C
Dimming %	2.0%	1.0%	1.0%	0.1%	2.0%	1.0%	1.0%	0.1%	0.1%	0.1%

Note: For L2, LH, LP, SG, SN, EG and EN drivers consult chart on page 8 to confirm appropriate dimming curve for compatibility with selected control.

#### MAXIMUM ALLOWABLE REMOTE DRIVER WIRING DISTANCES

DRIVER	WIRE AWG				
	12	14	16	18	20
SG, SN	285'	180'	113'	71'	45'
L2, LH, LP	60'	40'	25'	15'	-
EG, EN, ED	-	-	118'	72'	46'

#### LISTING

UL listed to UL1598 standard for Dry / Damp locations.  
Title 24 JA8-2019 Listed.

#### LIMITED WARRANTY

Manufacturer's Limited Warranty guarantees product(s) listed to be free from defects in material and workmanship under normal use and service for 1-year. LED and power supplies are warranted to operate with 70% of original flux and remain within a range of 3 duv for a period of 5-years. 10-year Lutron Advantage limited warranty available on Lutron equipped systems. Warranty period begins from the date of shipment by Seller and conditional upon the use of manufacturer-supplied power supply. [Consult website for full warranty terms and conditions.](#)



## DIMMING COMPATABILITY

### LUTRON DRIVER COMPATIBILITY

Power supply L2 Lutron Product Family	Part No.
Maestro WirelessR 600 W dimmer	MRF2-6ND-120-
Maestro WirelessR 1000 W dimmer	MRF2-10ND-120-
Caséta® Wireless Pro 1000 W dimmer	PD-10NXD-
GRAFIK T™ CL® dimmer	GT-250M-GTJ-250M-
HomeWorks® QS adaptive dimmer	HQRD-6NA-
HomeWorks® QS 600 W dimmer	HQRD-6ND-
HomeWorks® QS 1000 W dimmer	HQRD-10ND-
RadioRA® 2 adaptive dimmer	RRD-6NA-
RadioRA® 2 1000 W dimmer	RRD-10ND
myRoom™ DIN power module	MQSE-4A1-D
HomeWorks® QS DIN power module	LQSE-4A1-D
HomeWorks® QS wallbox power module	HQRJ-WPM-6D-120
HomeWorks® wallbox power module	HWI-WPM-6D-120
GRAFIK Eye® QS control unit	QSGR-, QSGRJ-
GRAFIK Eye® 3000 control unit	GRX-3100-GRX-3500-
RPM-4U module (LCP, HomeWorks® QS, GRAFIK Systems™, Quantum®)	HW-RPM-4U-120 LP-RPM-4U-120
RPM-4A module (LCP, HomeWorks® QS, GRAFIK Systems™, Quantum®)	HW-RPM-4A-120, LP-RPM-4A-120
GP dimming panels	Various
Ariadni CL 250W dimmer	AYCL-253P-
Diva CL 250W dimmer	DVCL-253P-DCSCCL-253P-
Nova T CL 250W dimmer	NTCL-250-
Power supply LH / LP Lutron Product Family	Part No.
PowPak Dimming Modules	RMJ-EC032-DV-B
PowPak Dimming Modules	FCJ/FCJS-ECO
Energi Savr Nodes	QSN-1ECO-S
GRAFIK Eye QS control unit	QSN-2ECO-S
Homeworks QS control unit	QSGRJ-_E (wireless) QSGR-_E
Quantum Hub	QP2-__ 2C
Quantum Hub	QP2-__ 4C
Quantum Hub	QP2-__ 6C
Quantum Hub	QP2-__ 8C
Homeworks QS power module	LQSE-2ECO-D
myRoom Plus power module	

### eldoLED DRIVER COMPATIBILITY

Power supply EG Manufacturer	Family/Model #
Busch-Jaeger	2112U-101
Jung	240-10
Leviton Lighting Controls	IP710-DLX
Lightolier Controls	ZP600FAM120
Merten	5729
Pass & Seymour	CD4FB-W
The Watt Stopper	DCLV1
Synergy	ISD BC
Crestron®	GLX-DIMFLV8
Crestron®	GLXP-DIMFLV8
Crestron®	GLPAC-DIMFLV4-*
Crestron®	GLPAC-DIMFLV8-*
Crestron®	GLPP-DIMFLVEX-PM
Crestron®	GLPP-1DIMFLV2EX-PM
Crestron®	GLPP-1DIMFLV3EX-PM
Crestron®	DIN-A08
Crestron®	DIN-4DIMFLV4
Crestron®	CLS-EXP-DIMFLV
Crestron®	CLCI-1DIMFLV2EX
Power supply EN Manufacturer	Family/Model #
Lutron Electronics	Nova T® - NTFTV
Lutron Electronics	Diva® - DDTV
Lutron Electronics	Nova® - NFTV
Lutron Electronics	GrafixEye® GRX-TVI w GRX3503
Lutron Electronics	Energy Savr Node™ - QSN-4T16-S
Lutron Electronics	TVM2 Module
Sensor Switch	nIO EZ
ABB	SD/S 2.16.1

