



Fixture Type  
Materials  
Finish

Surface mounted  
Glass & zamak  
Chrome

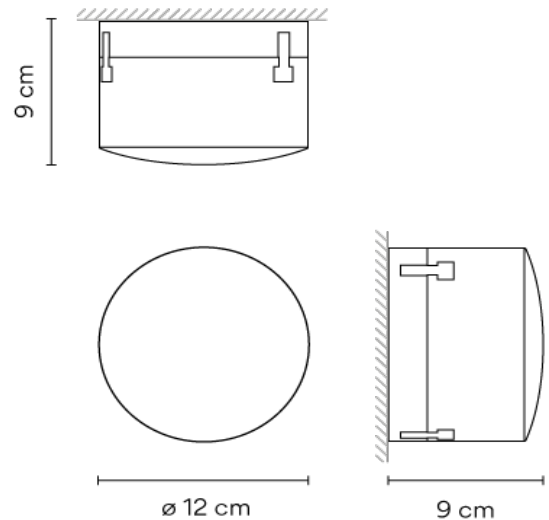
Lamp Type  
Lamp Quantity  
Lamp Included  
Wattage  
Input Voltage  
Delivered Lumens  
Kelvin Temperature  
CRI  
Power S Type  
Power S Quantity  
Power S Location  
Dimming Type

LED  
1  
Yes  
3 W  
100-240V  
341  
2700 K  
80  
Driver  
1  
Integrated  
N/A  
Vibia

Designer:

Listings

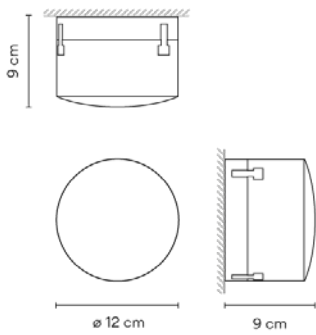
ETL  
WET



Design By Óscar & Sergi Devesa

Outdoor wall light designed by Oscar & Sergi Devesa. The diffuser is made of patterned glass painted white on the inside, and it has a chrome base. Ideal for transit areas or to complete general lighting.

## Model Sheet



**Finish**  01 Chrome  
Metallic finish

**LED temperature color** 2700 K

**Dimming** On/ Off

**Installation type** Surface Canopy

**Materials** Diffuser: Glass  
Body: Zamak

**Light source** 1 x LED PLATE 3W 350mA  
E

**LED** CRI>80 341 lm 117  
2700 K

**Driver** CC - Constant Current 350  
100-240 V 50/60 HZ



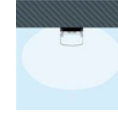
**Application** Bathrooms Lamps

**Packaging** 1 Box  
0.217 m x 0.217 m x 0.24 m  
Gross weight 2.6  
Net weight 2.34  
Vol. 0.0113

### Lighting effect

#### General Lighting

Lamp for general lighting that equally distributes the light in all directions.



#### Photometric Data

|                          |        |
|--------------------------|--------|
| <b>Efficiency</b>        | 68.29% |
| <b>Coordinate System</b> | CG     |
| <b>Total Flux</b>        | 341.10 |
| <b>Maximum Value</b>     | 91.87  |

#### Other Applications

